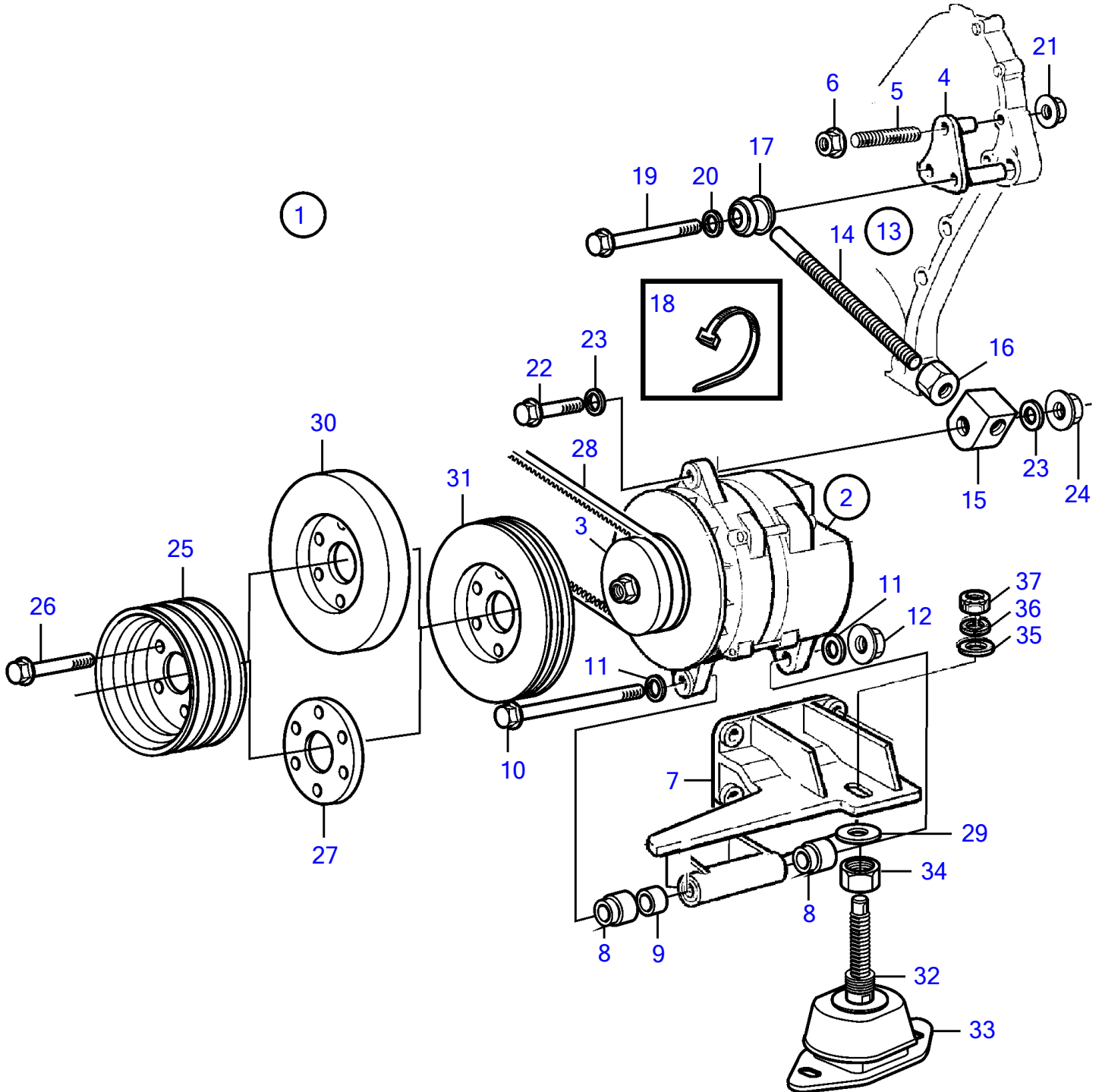


AD31L-A, AD31P-A, AD41L-A, AD41P-A, D41L-A, TAMD31L-A, TAMD31M-A, TAMD31P-A, TAMD31S-A, TAMD41H-A, TAMD41H-B, TAMD41P-A, TAMD41L-A, TAMD41M-A, TMD31L-A, TMD41L-A



23072

AD31L-A, AD31P-A, AD41L-A, AD41P-A, D41L-A, TAMD31L-A, TAMD31M-A, TAMD31P-A, TAMD31S-A, TAMD41H-A, TAMD41H-B, TAMD41P-A, TAMD41L-A, TAMD41M-A, TMD31L-A, TMD41L-A

REF	PART NO.	QTY	DESCRIPTION	SEE SEC.	NOTES
1	(3583368)	1	Alternator kit		Fits engines with damper thickness TH=35mm and TH=41mm., Obsolete part
2	(849748)	1	• Alternator		28V, 100A, Obsolete part
	(3803499)	1	• Alternator, exch, exch		28V, 100A, Obsolete part
			• •		
			•	596	
3	861123	1	• Pulley		
4	3582730	1	• Bracket		
5	968278	2	• Stud		
6	971098	2	• Flange lock nut		
7	860868	1	• Bracket		
8	859574	2	• • Bushing		
9		1	• • Sleeve		
10	970988	1	• Hexagon screw		
11	955897	2	• Washer		
12	971099	1	• Flange lock nut		
13	3582712	1	• Tensioning screw		
14		1	• • Rod		
15	3036796	1	• • Tension block		
16	3036797	1	• • Collet		
17		1	• • Bushing		
18	948211	1	• • Cable tie		
19	970963	1	• Hexagon screw		
20	976945	1	• Washer		
21	971098	1	• Flange lock nut		
22	946752	1	• Flange screw		
23	960143	2	• Washer		
24	971098	1	• Flange lock nut		
25	861123	1	• Pulley		Fits engines with damper thickness TH=35mm and TH=41mm.
26	968842	6	• Flange screw		
27	860870	1	• Spacer		
28	966391	1	• V-belt		
29	945544	1	• Washer		Only used for rubber element with M16 bolt.
30		1	Absorber		Alt. see group 21
31		1	Pulley		See group 21
32		4	Screw		See group 21
33		X	Rubber element		See group 21
34		X	Nut		See group 21
35		X	Washer		See group 21
36		X	Spring washer		See group 21
37		X	Nut		See group 21